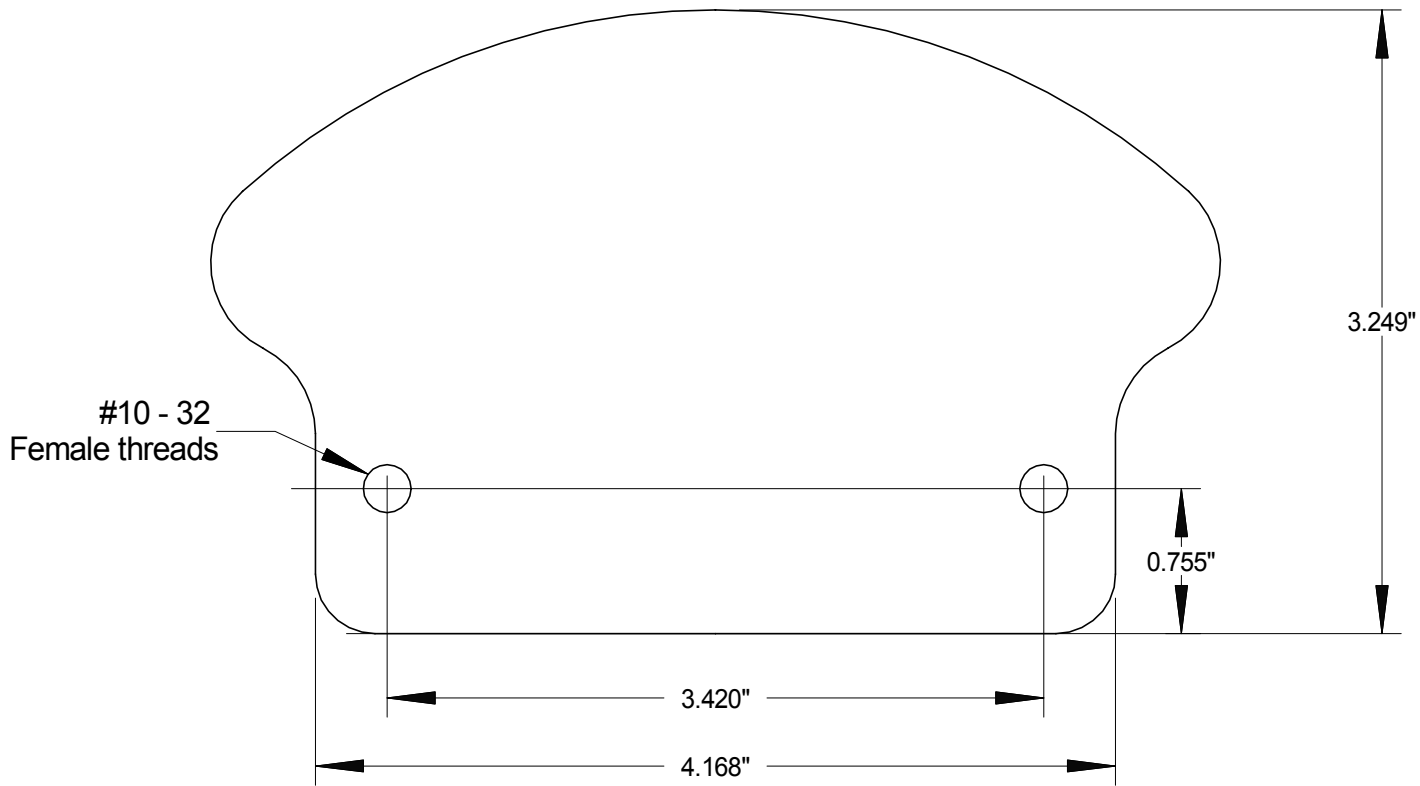


Material:



Notes:



Co Pilot 2 Mounting Template	
P/N	
Date	1-11-2005
Rev	B
Tol:	